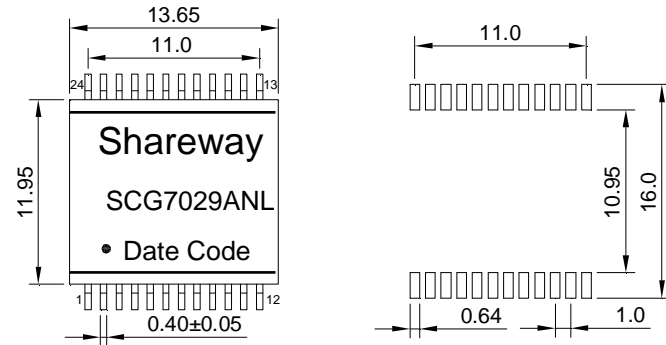
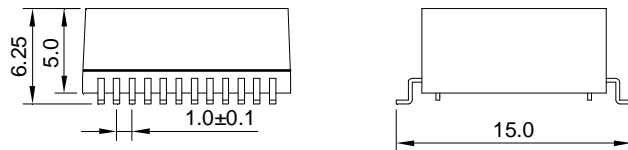


REV.	DESCRIPTION	DATE	DWN	AP'PD

一、Mechanicals Dimensions

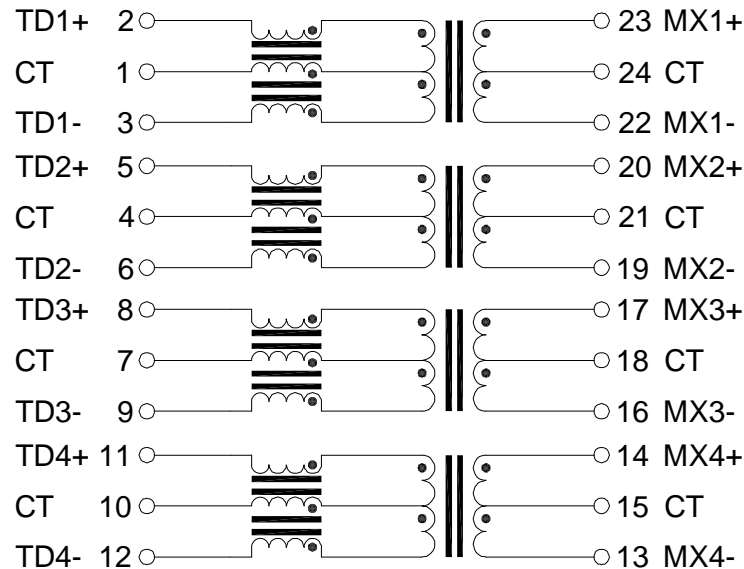


SUGGESTED PAD LAYOUT



UNIT: mm Unless otherwise specified, all tolerances are ± 0.25

二、Schematics



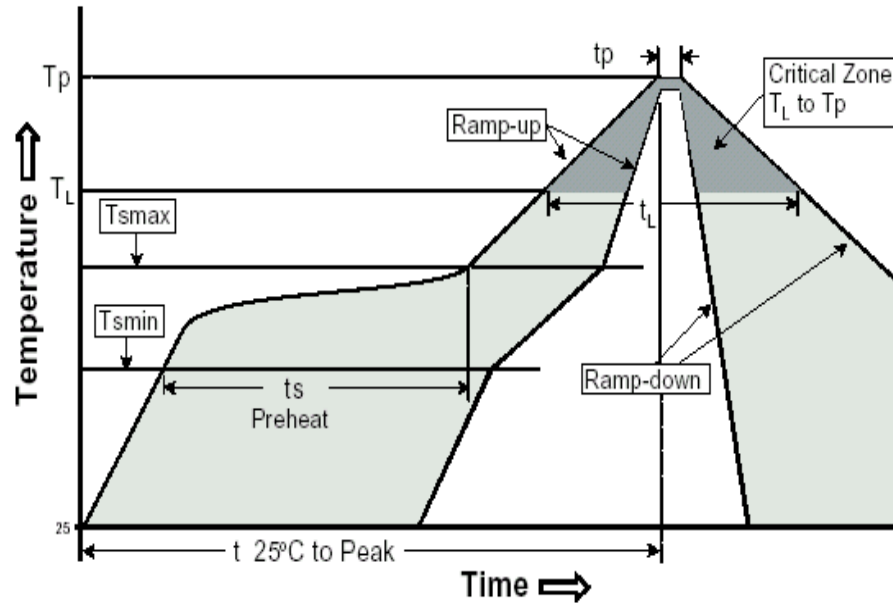
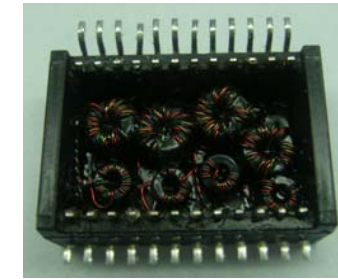
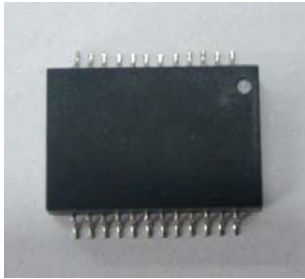
三、ELECTRICAL SPECIFICATIONS@25°C:

1. Turn Ratio($\pm 3\%$) 1CT:1CT
2. Insertion Loss(dB TYP): -3.0dB(0.1MHz),-1.0dB(1-500MHz)
3. Return Loss(dB MIN): -18dB(1-40MHz),-17+10log(f/40MHz)dB(40-500MHz)
4. Cross talk(dB TYP): -40dB(1-100MHz),-30dB(100-500MHz)
5. CDMR(dB TYP): -30dB(1-250MHz), -22dB(250-500MHz)
6. HI-POT: 1500Vrms/0.5mA/60Sec or 1650Vrms/0.5mA/2Sec
7. Operating Temperature Range: 0°C TO +70°C
8. Storage Temperature Range: -40°C TO +85°C
9. RoHS compliance: YES

	SHAREWAY TECHNOLOGY CO., LTD			
	TITLE	10G BASE-T MAGANETIC MODULE		
	P/N	SCG7029ANL	REV.	1
	PAGE NO	1/3	DATE	2014/2/18
	AP'PD	C.W.X	DWN	Wayne

四、 Our RoHS parts just can withstand IR Reflow peak temperature: 245degC+/-5degC as the following profile:

REV.	DESCRIPTION	DATE	DWN	AP'PD



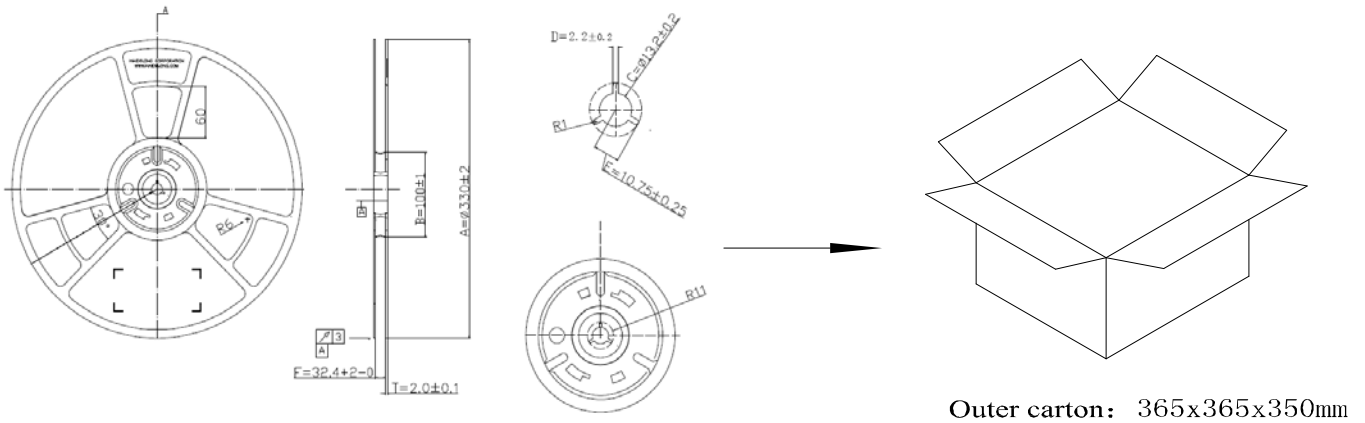
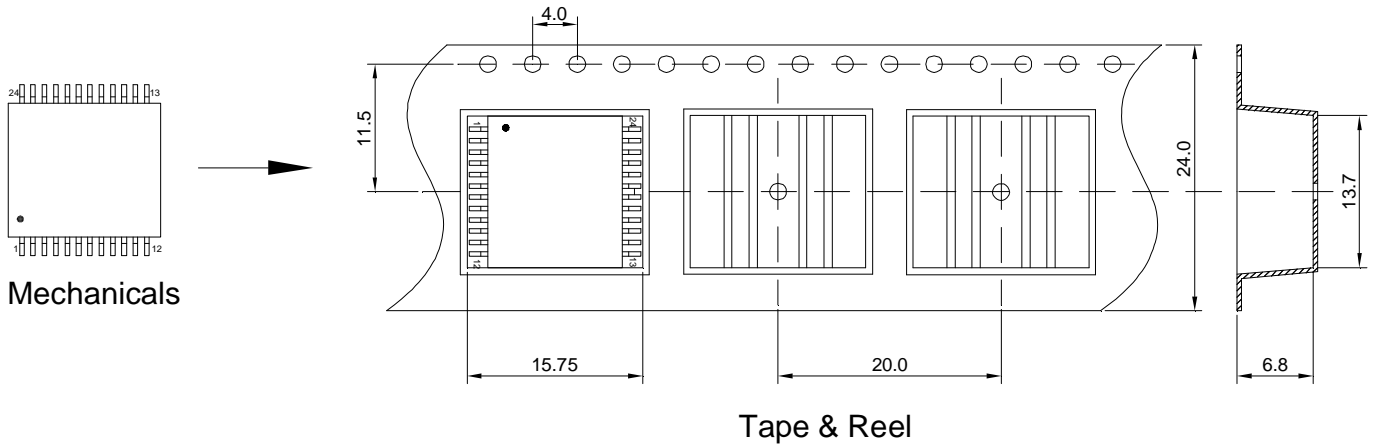
Profile Feature	Pb-Free Assembly
Average Ramp-Up Rate ($T_{s_{max}}$ to T_p)	3°C /second max.
Preheat -Temperature Min ($T_{s_{min}}$) -Temperature Max ($T_{s_{max}}$) -Time ($t_{s_{min}}$ to $t_{s_{max}}$)	150°C 200°C 60-180 seconds
Time maintained above: -Temperature (T_L) -Time (t_L)	217°C 60-150 seconds
Peak/Classification Temperature (T_p)	245±5°C
Time within 5°C of actual Peak Temperature (t_p)	20-40 seconds
Ramp-Down Rate	6°C/seconds max
Time 25°C to Peak Temperature	6minutes max.

SHAREWAY TECHNOLOGY CO., LTD			
	TITLE	10G BASE-T MAGANETIC MODULE	
	P/N	SCG7029ANL	REV. 1
	PAGE NO	2/3	DATE 2014/2/18
	AP'PD	C.W.X	DWN Wayne

五、 Packing Information:

REV.	DESCRIPTION	DATE	DWN	AP'PD

- 1.Weight-----1.4 grams/pcs
- 2.Tape & Reel----- 400 pcs
- 3. outer carton unit: 4000pcs/box
- 4. outer carton unit: 10T&R/box
- 5.Weight: 11.5kg per carton



<p>RoHS Compliant</p>	SHAREWAY TECHNOLOGY CO., LTD			
	TITLE	10G BASE-T MAGANETIC MODULE		
	P/N	SCG7029ANL	REV.	1
	PAGE NO	3/3	DATE	2014/2/18
	AP'PD	C.W.X	DWN	Wayne